



CATALOG OF REPLACEMENT PARTS

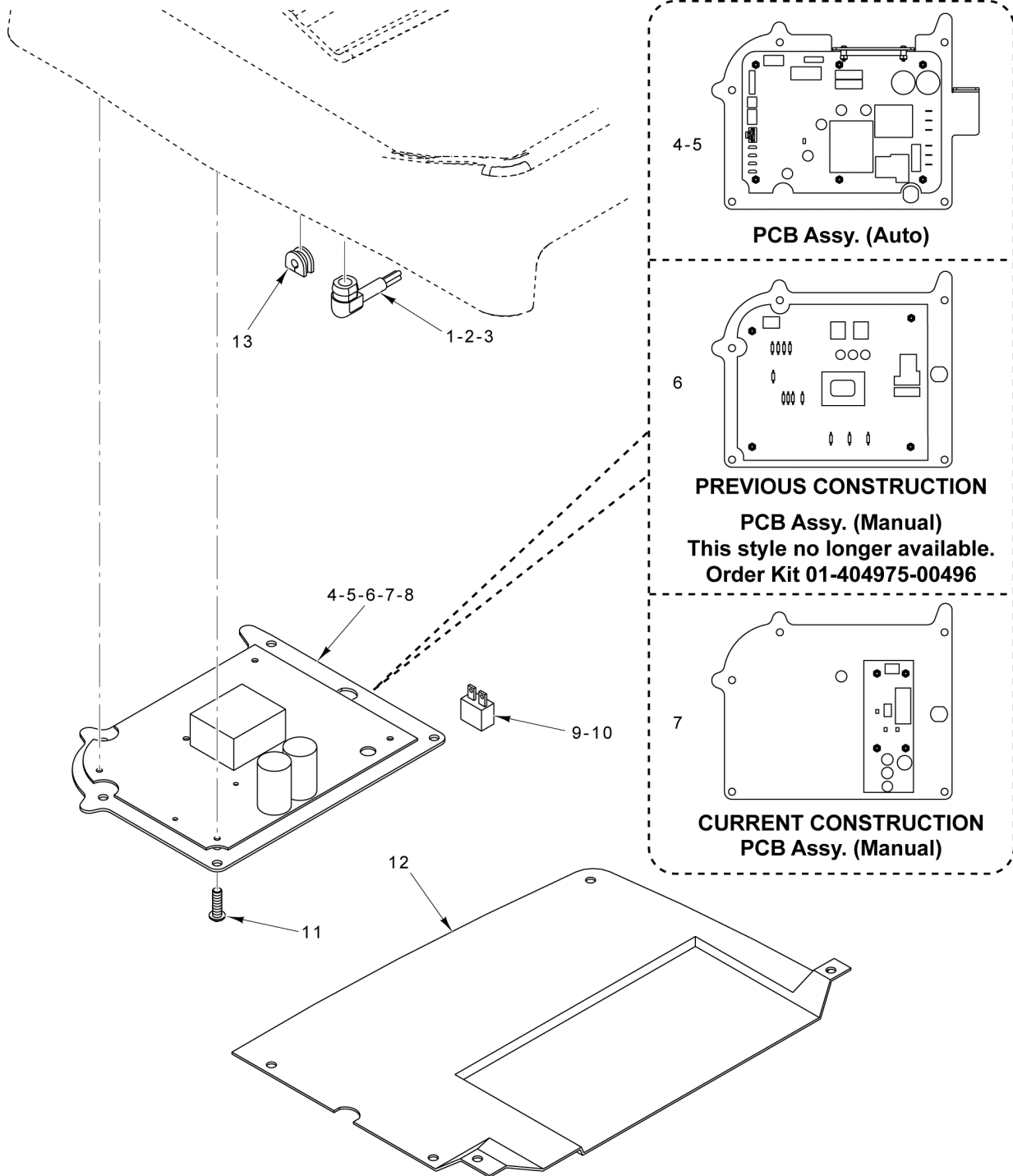
MODEL X13-PLUS SERIES SLICERS



- | | |
|------------------|--|
| ML-136257 | X13 PLUS (Manual W/Interlocks) |
| ML-136258 | X13A PLUS (Auto W/Interlocks) |
| ML-136259 | X13AE PLUS (Auto W/O Interlocks) |
| ML-136262 | X13E PLUS (Manual W/O Interlocks) |

Table of Contents

5	ELECTRICAL COMPONENTS
7	RING GUARD AND CENTER PLATE
9	ARM ASSEMBLY
11	GAUGE PLATE ASSEMBLY
13	PRODUCT TABLE
15	KNIFE AND MOTOR ASSEMBLY
17	AUTODRIVE ASSEMBLY
19	KNIFE SHARPENER UNIT
21	KICKSTAND ASSEMBLY AND ACCESSORIES
23	HARNESS - CONTROL BOARD & KEYPAD
25	HARNESS - AUTO CONTROL & AUTO MOTOR



- 14 01-404175-00745 Plug - Jumper (J12)
 - 15 01-404175-00121 Jumper Wire Assy.
- PARTS NOT ILLUSTRATED**

PL-58977

ELECTRICAL COMPONENTS

ELECTRICAL COMPONENTS

ILLUS.	PART NO.	NAME OF PART	AMT.
PL-58977			
1	FE-021-21	Strain Relief.....	1
2	01-404175-00719	Cord - Power (120 V.).....	1
3	00-117542-00122	Cord & Plug Assy. (240 V.).....	1
4	01-404875-00057	PCB Assy. - Main Board (120 V., 60 Hz., 1 Ph.) (Auto) (Incls. Items 2 & 9).....	1
5	01-404875-00061	PCB Assy. - Main Board (230V., 50 Hz., 1 Ph.) (Incls. Items 3 & 10).....	1
*6	01-404975-00496	Kit - PCB Assy. (Manual) (Before S/N 311481491) (Incls. Items 2, 7, 9, 14, & 15).....	1
7	01-404875-00060	PCB Assy. (Manual) (Starting S/N 311481932) (Incls. Items 2, 9, 14, & 15).....	1
8	01-402675-00752	Circuit Breaker (12 Amp., 120 V.).....	1
9	00-088196-016-2	Switch Reset (10 Amp.).....	1
10	00-088196-00035	Switch Reset (Canada) (5 Amp.).....	1
11	01-402175-02854	Cap Screw M5 x 10mm Button Socket Hd.....	3
12	01-403875-00238	Cover - Bottom.....	1
13	01-403875-00234	Grommet - Electric Enclosure.....	1
14	01-404175-00745	Plug - Jumper (J12) (Required for X13A or X13AE Slicers).....	1
15	01-404175-00121	Jumper Wire Assy.....	1

* (Also Incls. Items 2, 5, 31, & 34 on GAUGE PLATE ASSEMBLY)

WARNING / AVERTISSEMENT

- Rotating knife
- Use product table handle
- Sharpen knife in manual mode
- Read owners manual before operating
- Close gouge plate when not in use
- Unplug cord before cleaning, servicing or removing parts
- Lame rotative
- Utilisez la poignée du porte-produit
- Affûtez la lame en mode manuel
- Lisez le mode d'emploi avant d'utiliser l'appareil
- Fermez la plaque de calibrage quand l'appareil n'est pas en service
- Débranchez le cordon électrique avant de nettoyer, entretenir ou retirer des pièces de cet appareil

WARNING/AVERTISSEMENT

HIGH VOLTAGE ELECTRONICS ENCLOSED
 - DO NOT OPEN
 - UNPLUG MACHINE
 - CALL YOUR AUTHORIZED SERVICE AGENT

DISPOSITIFS ÉLECTRONIQUES À HAUTE TENSION
 À L'INTÉRIEUR
 - NE PAS OUVRIR
 - DEBRANCHEZ L'APPAREIL
 - CONTACTEZ VOTRE AGENCE DE SERVICE TECHNIQUE AUTORISÉE

GRD/TERRE

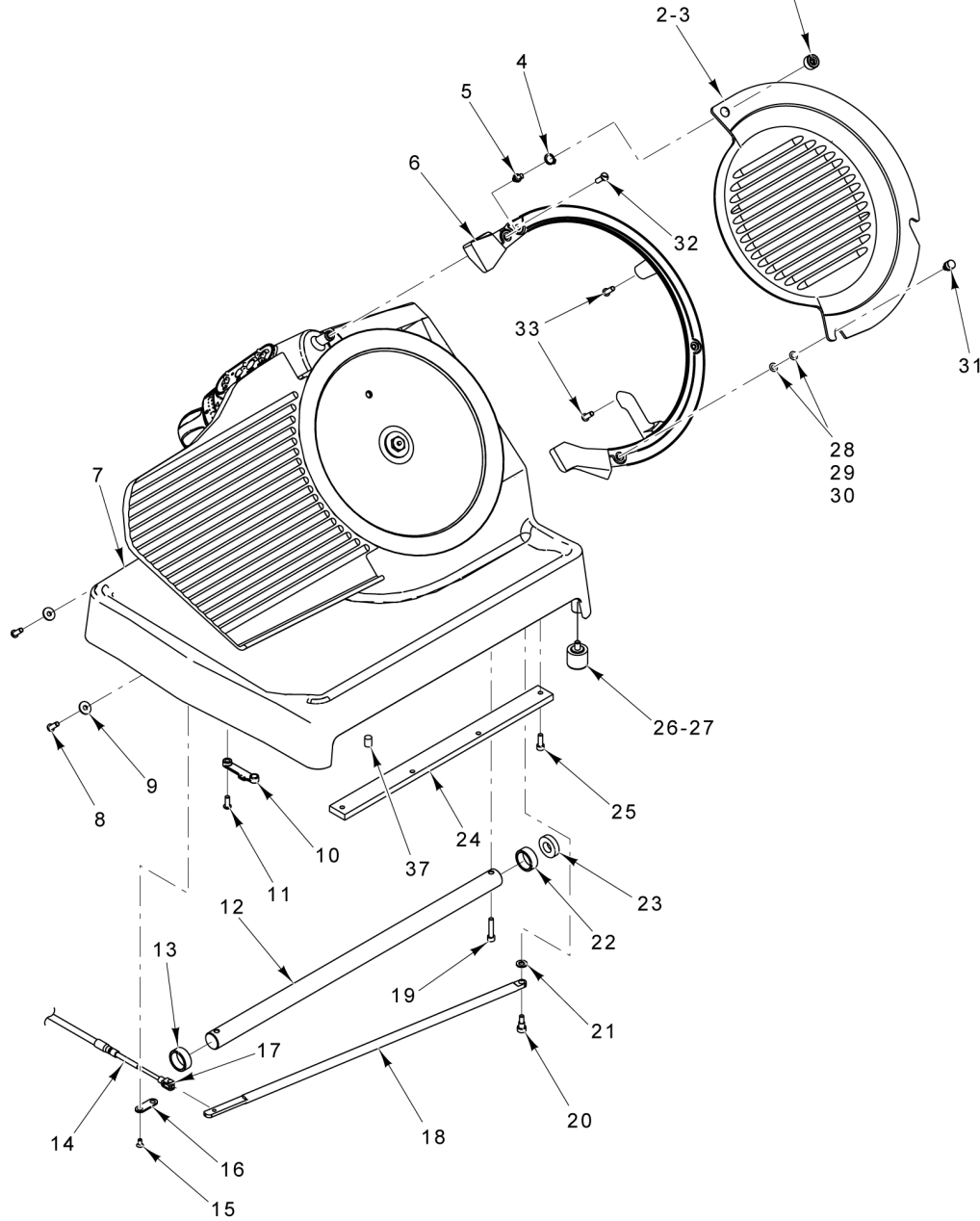
WARNING

This area contains a chemical known to the State of California to cause cancer, birth defects or other reproductive harm.

AVERTISSEMENT

Cette zone contient un agent chimique connu dans l'État de la Californie pour causer le cancer, des malformations congénitales ou autres anomalies de la reproduction.

00-916957-00018

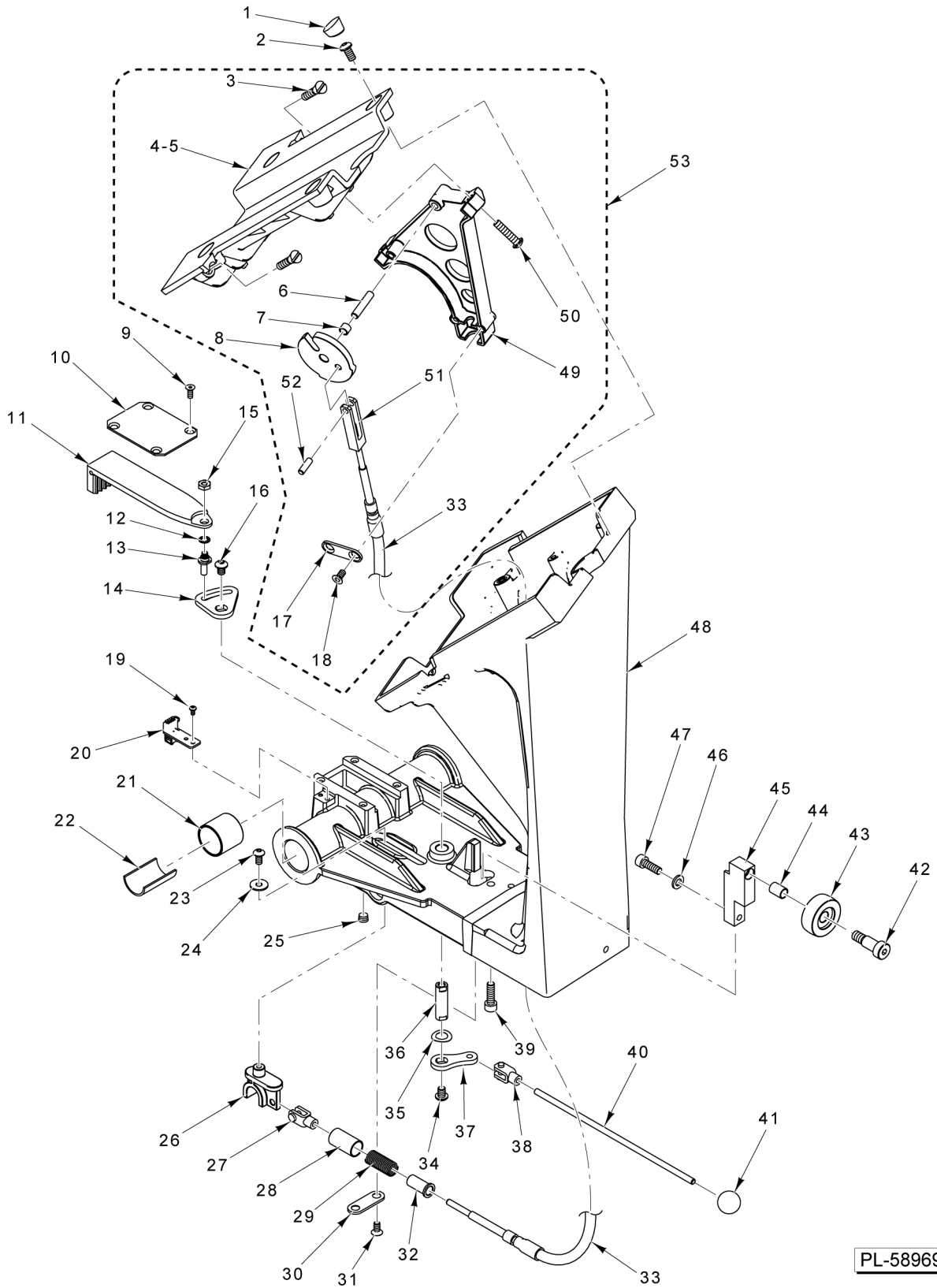


PL-58968

RING GUARD AND CENTER PLATE

RING GUARD AND CENTER PLATE

ILLUS.	PART NO.	NAME OF PART	AMT.
PL-58968			
1	01-403375-01392	Knob.....	1
2	01-404675-01144	Center Plate Assy. (Incls. Items 1, 3, & 4).....	1
3	01-403775-00499	Center Plate - Solid.....	1
4	01-402275-00608	Ring - Retaining (5160).....	1
5	01-403375-01391	Stud - Post.....	1
6	01-403775-00497	Ring Guard.....	1
7	01-403875-00171	Base.....	1
8	01-402175-02867	Screw M6 x 18mm Button Socket Hd. (For Ring Guard).....	2
9	01-402275-00586	Washer.....	2
10	01-403875-00183	Guide - Interlock Slide Bar.....	1
11	01-402175-02866	Cap Screw M6 x 16mm Button Socket Hd. (SST).....	2
12	01-403375-01306	Rail - Round.....	1
13	01-403275-00233	Bumper - Transport Rail.....	1
14	01-402375-00175	Cable - Interlock Base Assy.....	1
15	SC-120-93	Mach. Screw M5 x 0.8 x 10mm Hex Flat Hd. (SST).....	2
16	01-403375-01286	Clamp - Interlock Assy.....	1
17	01-402375-00184	Clevis - Stock.....	1
18	01-403375-01275	Slide - Bar Interlock.....	1
19	01-402175-02861	Screw M6 x 6mm Button Socket Hd.....	2
20	01-402175-00503	Shoulder Bolt.....	1
21	01-402275-00588	Washer.....	1
22	01-403275-00243	Bumper - Rubber.....	1
23	01-402275-00629	Washer - Bumper.....	1
24	01-403375-01278	Rail - Square.....	1
25	01-402175-02743	Cap Screw M6 x 14mm.....	4
26	01-403875-00239	Foot.....	4
27	01-403875-00249	Foot (Suction).....	4
28	01-403275-00237	Shim (1.0mm).....	AR
29	01-403275-00238	Shim (0.5mm).....	AR
30	01-403275-00241	Shim (0.3mm).....	AR
31	01-403375-01388	Shoulder Stud.....	2
32	01-402175-00529	Screw Flat Hd.....	1
33	01-402175-02744	Cap Screw Socket Hd.....	2
34	00-916957-00021	Label - Warning.....	1
35	00-916957-00018	Label - Warning (California).....	1
36	00-916957-00023	Label - Warning.....	1
37	01-402675-00912	Magnet.....	1

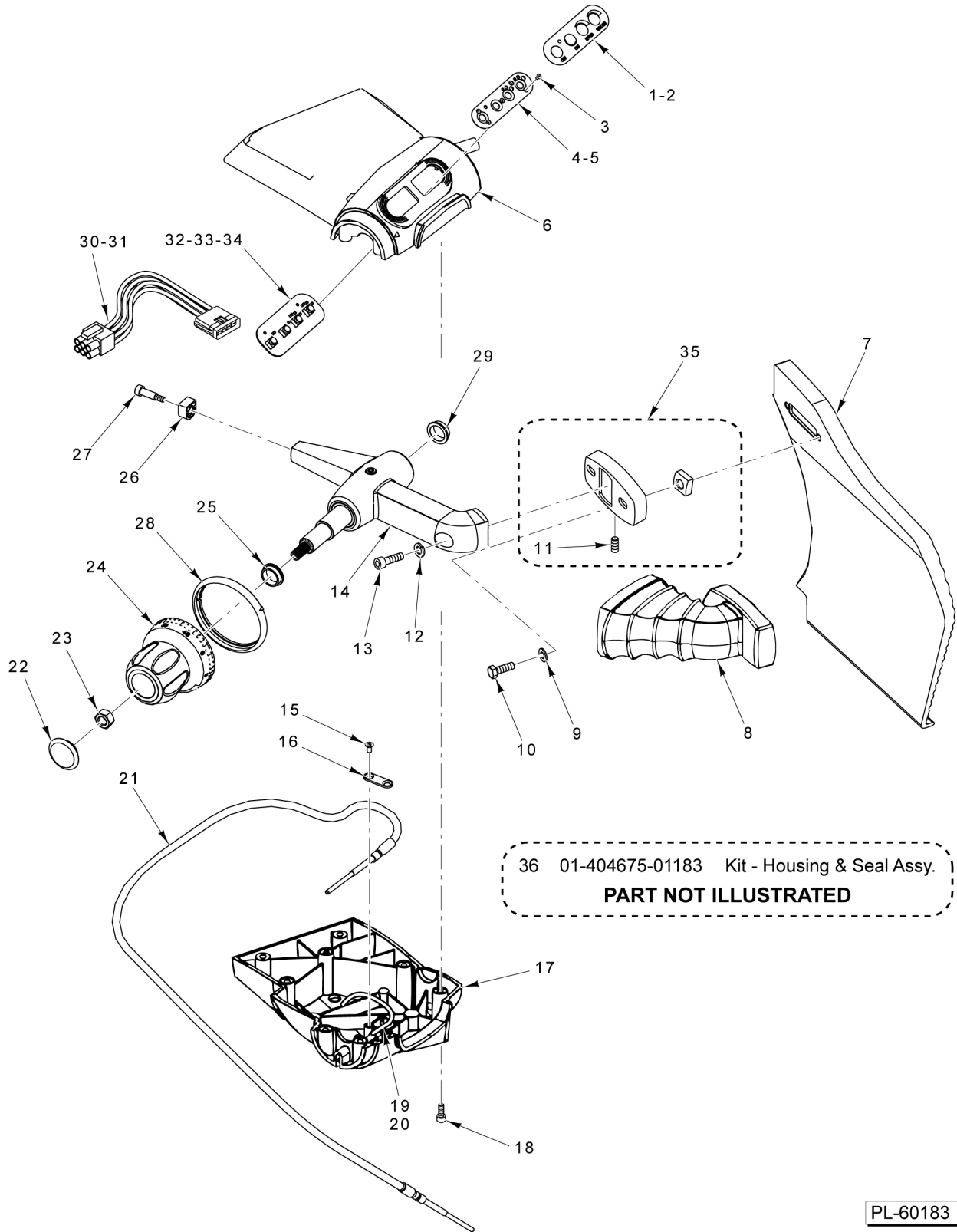


PL-58969

ARM ASSEMBLY

ARM ASSEMBLY

ILLUS.	PART NO.	NAME OF PART	AMT.
PL-58969			
1	01-403875-00235	Plug - Top Plate.....	4
2	01-402175-02864	Cap Screw Socket Button Hd.....	4
3	01-402175-00524	Screw Table Adjustment.....	2
4	01-403875-00233	Top Plate (With Interlock).....	1
5	01-403875-00233	Top Plate (With Interlock).....	1
6	01-402275-00582	Pin - Dowel.....	1
7	01-402275-00614	Bushing.....	1
8	01-404575-01037	Actuator Assy. - Interlock (Incls. Item 7).....	1
9	01-402175-02923	Cap Screw Flat Socket Hd.....	4
10	01-403475-01023	Plate - Autodrive Clutch.....	1
11	01-404575-01033	Clip Assy. - Autodrive Belt (Incls. Items 12, 13, & 15).....	1
12	01-402275-03047	Lockwasher #10 Internal.....	1
13	01-403375-01390	Pin - Eccentric.....	1
14	01-403475-01021	Cam - Autodrive Clutch.....	1
15	01-402175-00082	Nut - Hex.....	1
16	01-402175-02862	Cap Screw Socket Button Hd.....	1
17	01-403375-01286	Clamp - Interlock Assy.....	1
18	01-402175-00520	Self-Tapping Screw Button Socket Hd.....	2
19	01-402175-02831	Cap Screw Socket Button Hd.....	2
20	01-402675-00920	PCB Assy. - Arm Flex Cable.....	1
21	01-402275-00521	Bushing.....	2
22	01-403275-00035	Wick - Oil.....	1
23	01-402175-00520	Self-Tapping Screw Button Socket Hd.....	1
24	01-402275-00589	Washer.....	1
25	01-402175-00541	Plug - Pipe.....	1
26	01-403875-00195	Slider - Interlock Bar.....	1
27	01-402375-00184	Clevis - Stock.....	1
28	01-403875-00498	Spring Cup.....	1
29	01-403275-00236	Spring - Compressed.....	1
30	01-403375-01286	Clamp - Interlock Assy.....	1
31	01-402175-02934	Cap Screw Flat Socket Hd.....	1
32	01-403875-00499	Spring Shoulder.....	1
33	01-402375-00168	Cable - Interlock Arm.....	1
34	01-402175-02862	Cap Screw Socket Button Hd.....	1
35	01-402275-00592	Disc - Spring.....	1
36	01-403375-01376	Shaft - Clutch Pivot.....	1
37	01-403475-01022	Crank - Autodrive Clutch.....	1
38	01-402375-00184	Clevis - Stock (Incls. Pin).....	1
39	01-402175-00510	Screw Socket Nylon Hd.....	1
40	01-403375-01373	Rod - Clutch Engage.....	1
41	01-402275-00580	Knob - Clutch Engage.....	1
42	01-402175-00502	Shoulder Bolt.....	1
43	01-402375-00167	Roller - Transport.....	1
44	01-403375-01378	Spacer - Shaft.....	1
45	01-403375-01280	Mount - Transport Roller.....	1
46	01-402275-00587	Washer.....	1
47	01-402175-02745	Cap Screw Socket Hd.....	1
48	01-404375-00226	Arm - Transport (Incls. Item 21).....	1
49	01-403875-00240	Arm - Top Plate Brace.....	1
50	01-402175-00520	Self-Tapping Screw Button Socket Hd.....	2
51	01-403375-01282	Clevis - Table Interlock.....	1
52	01-402275-00232	Pin - Dowel.....	1
53	01-404675-01127	Top Plate Assy. (W/Interlocks) (Incls. Items 3, 4, 6, 7, 8, 17, 18, 33, & 49 thru 52)	1



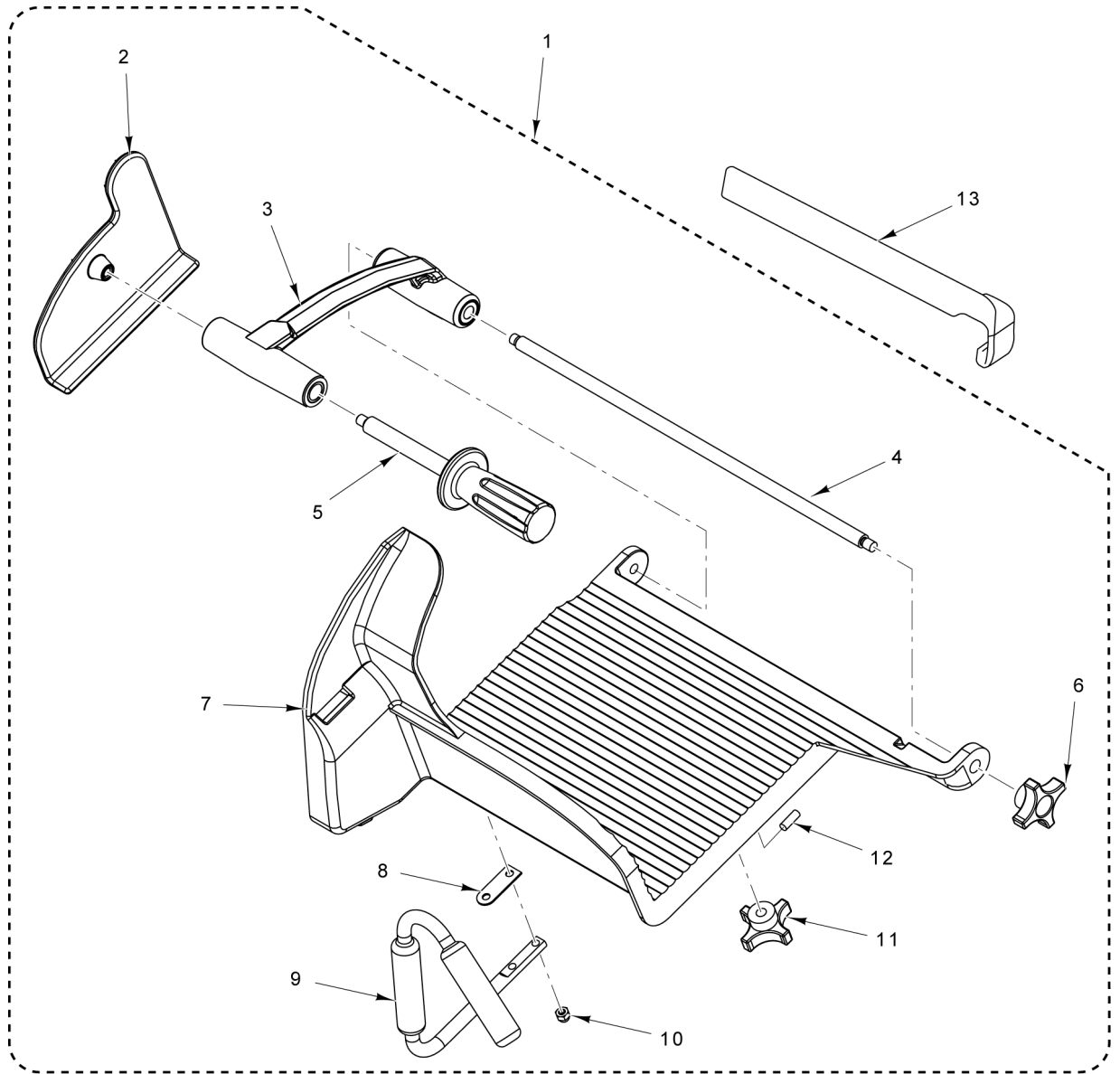
GAUGE PLATE ASSEMBLY

PL-60183

GAUGE PLATE ASSEMBLY

ILLUS.	PART NO.	NAME OF PART	AMT.
PL-60183			
1	01-403175-00941	Overlay - (Automatic) Berkel.....	1
2	01-403175-00945	Overlay - (Manual) Berkel.....	1
3	01-402175-00528	Screw M5 x 10mm Flat Hd.....	AR
4	01-403875-00237	Mount - Upper (Previous Construction).....	1
5	01-403875-00286	Bezel (Current Construction).....	1
6	01-403875-00283	Housing - Upper.....	1
7	01-403775-00458	Plate - Gauge.....	1
8	01-403875-00236	Boot - Rubber Arm.....	1
9	01-402275-05055	Lockwasher.....	2
10	01-402175-02756	Cap Screw M8 x 20mm Hex Hd.....	2
11	01-402175-00500	Set Screw.....	2
12	01-402275-06075	Lockwasher.....	1
13	01-402175-02779	Cap Screw M12 x 35 Hex Hd.....	1
14	01-404375-00232	Arm - Index Support Assy. (Incls. Items 26 & 27).....	1
15	01-402175-00517	Self-Tapping Screw M5 x 10mm Flat Socket Hd.....	2
16	01-403375-01286	Clamp - Interlock Assy.....	1
17	01-403875-00282	Housing - Lower.....	1
18	01-402175-02744	Cap Screw M6 x 16mm Socket Hd.....	AR
19	01-402275-00609	Grommet Assy. (X13E & X13AE).....	1
20	01-403375-01393	Stop Pin - Index Knob (X13E & X13AE).....	1
21	01-402375-00175	Cable - Interlock Base Assy. (X13 & X13A).....	1
22	01-402275-00414	Plug.....	1
23	01-402175-00504	Nut.....	1
24	01-403875-00173	Knob - Index Assy.....	1
25	01-403875-00257	Bushing - Plastic Flanged.....	1
26	01-403875-00258	Arm - Slider.....	1
27	01-402175-00501	Shoulder Bolt.....	1
28	01-403875-00272	Seal - Index Knob.....	1
29	01-403875-00257	Bushing - Plastic Flanged.....	1
30	01-404175-00715	Harness - Upper Panel (Previous Construction X13 & X13E; All X13A & X13AE).....	1
31	01-404175-00746	Harness - Upper Panel (Current Construction X13 & X13E).....	1
32	01-402675-00918	PCB Assy. Upper (Automatic).....	1
*33	01-404975-00496	Kit - PCB Assy. (Manual) (Incls. Items 2, 5, 31, 34, & 37) (Before S/N 311481491).....	1
34	00-915613	PCB Assy. (Keypad) (Current Construction X13 & X13E).....	1
35	01-404675-01186	Block Assy. (Adjustment) (Incls. Item 11).....	1
36	01-404675-01183	Kit - Housing & Seal Assy. (Incls. Items 6, 17, & 28).....	1

* (Also Incls. Items 1, 2, 6, 9, & 15 on ELECTRICAL COMPONENTS)



14 01-404975-00463 Chute - Vegetable (With Pusher)

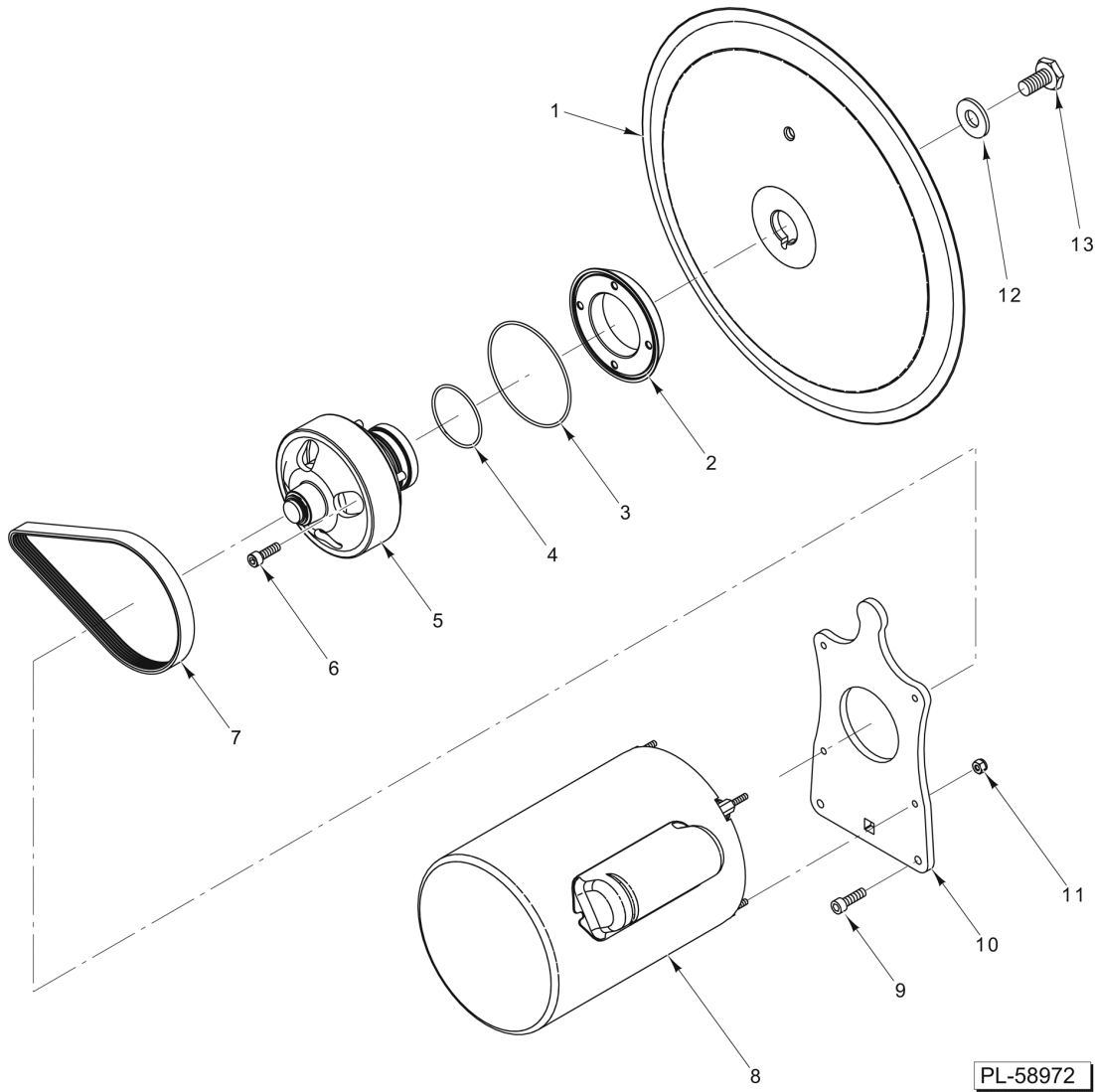
PART NOT ILLUSTRATED

PL-60184

PRODUCT TABLE

PRODUCT TABLE

ILLUS.	PART NO.	NAME OF PART	AMT.
PL-60184			
1	01-404675-01184	Product Table Assy. (Incls. Items 2 thru 12).....	1
2	01-403875-00177	Pusher Assy.....	1
3	01-404375-00245	Arm - Pusher.....	1
4	01-403375-01417	Rail - Guide.....	1
5	01-404575-01032	Handle - Pusher.....	1
6	01-402275-00622	Knob.....	1
7	01-403875-00284	Table - Product.....	1
8	01-403875-00285	Gasket - Handle.....	1
9	01-403875-00279	Handle Assy.....	1
10	NS-025-04	Crown Nut 1/4-20 (SST).....	2
11	01-402275-00622	Knob.....	1
12	01-402275-00585	Dowel Pin.....	1
13	01-404675-01135	Fence - Product.....	1
14	01-404975-00463	Chute - Vegetable (Incls. Pusher).....	1

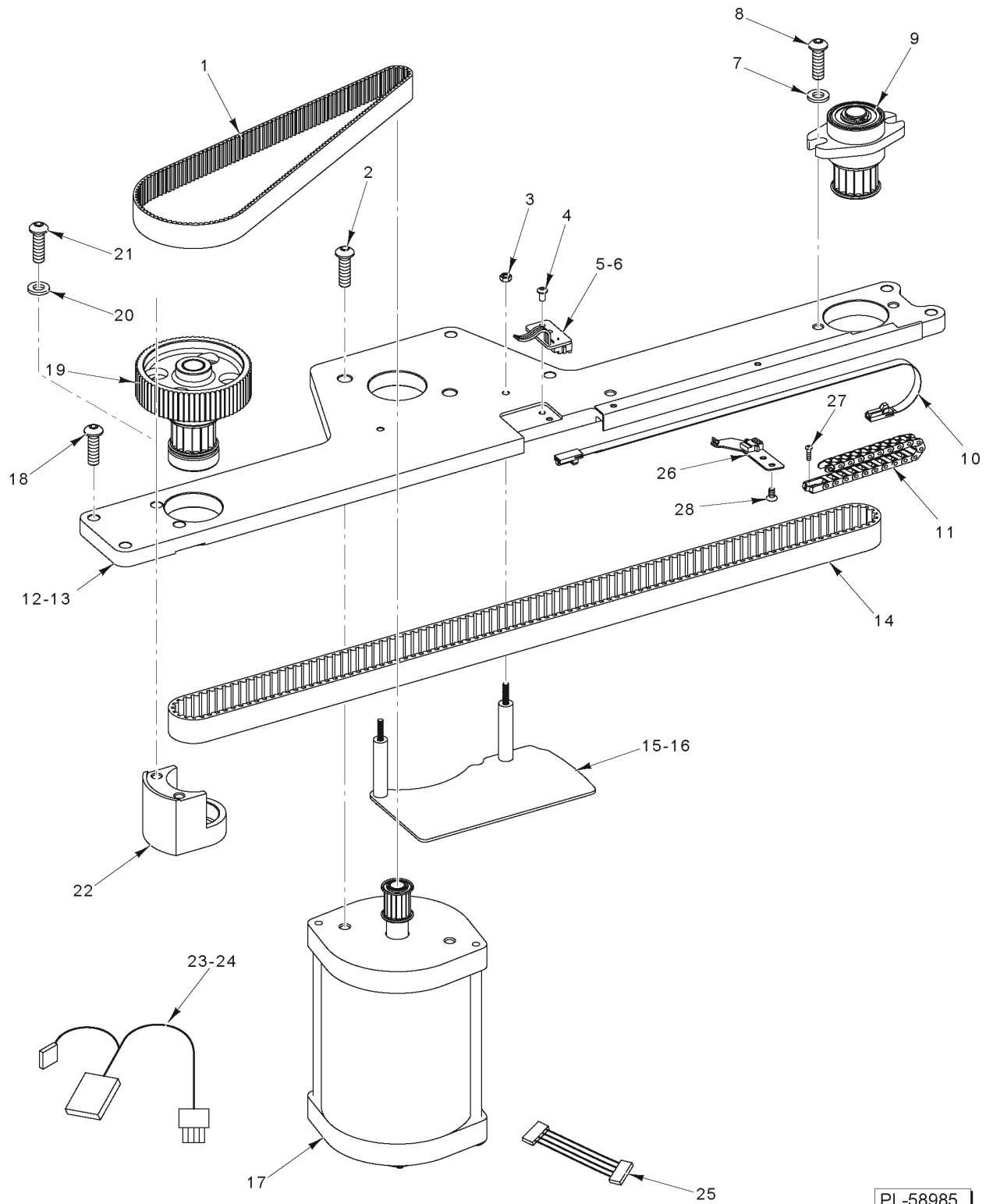


PL-58972

KNIFE AND MOTOR ASSEMBLY

KNIFE AND MOTOR ASSEMBLY

ILLUS.	PART NO.	NAME OF PART	AMT.
PL-58972			
1	01-403675-00277	Knife.....	1
2	01-403375-01269	Mount - Spindle.....	1
3	01-402275-00530	O-Ring (Spindle Mount).....	1
4	01-402275-00554	O-Ring (Bearing Housing).....	1
5	01-404675-01177	Hub Assy. (Knife) (Incls. Items 2, 3, 4, & 6).....	1
6	01-402175-02745	Cap Screw Socket Hd.....	4
7	01-402375-00176	Belt - Knife Drive.....	1
8	01-404175-00686	Motor (110-115 V.).....	1
9	01-402175-02744	Cap Screw Socket Hd.....	2
10	01-403475-00963	Mount - Knife Motor.....	1
11	NS-031-08	Stop Nut 8-32 Special (SST).....	4
12	01-402275-00524	Washer.....	1
13	01-402175-00468	Bolt - Knife.....	1



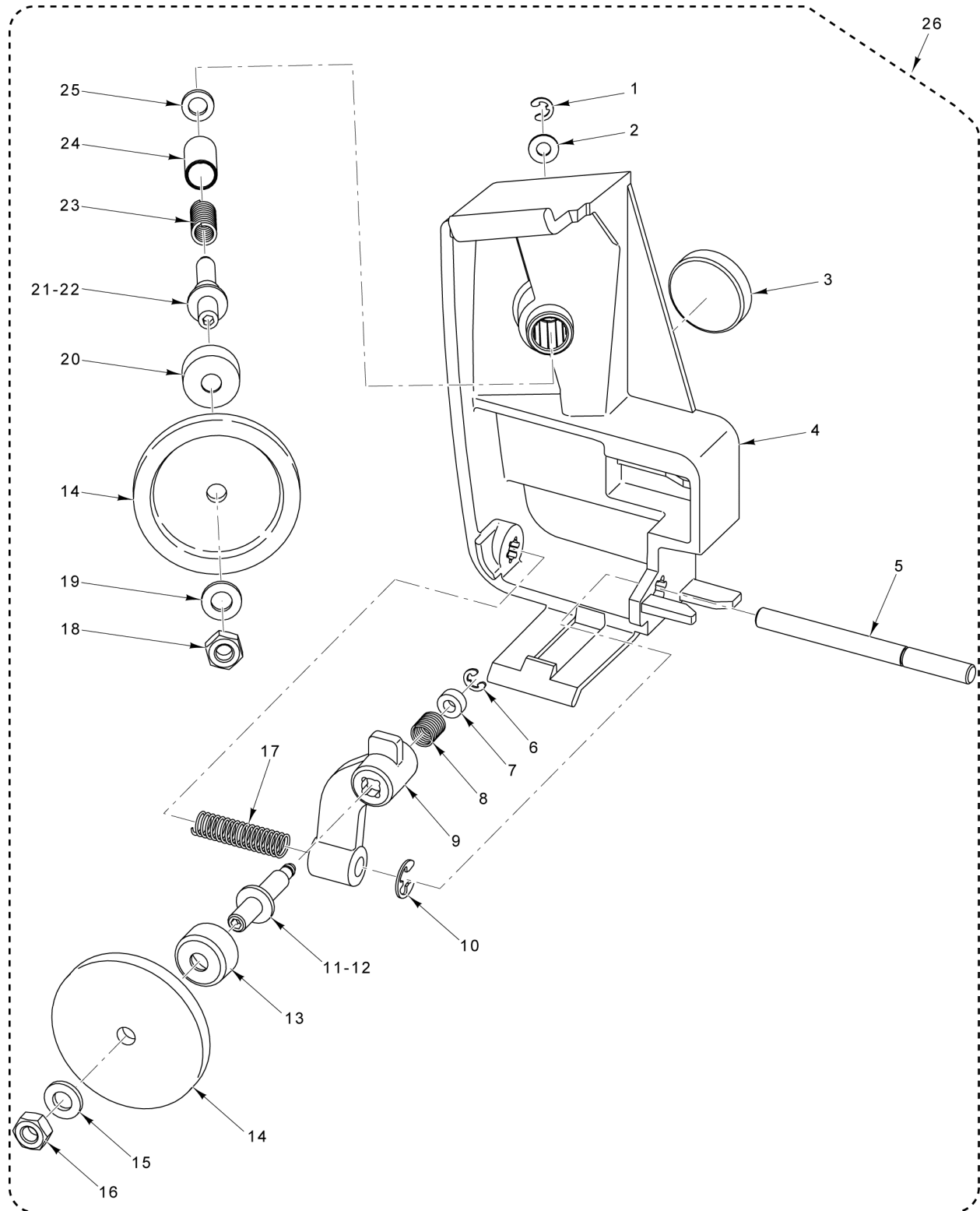
PL-58985

AUTODRIVE ASSEMBLY

AUTODRIVE ASSEMBLY

ILLUS.	PART NO.	NAME OF PART	AMT.
PL-58985			
1	01-402375-00172	Belt - Secondary.....	1
2	01-402175-02868	Cap Screw Socket Button Hd.....	1
3	01-402175-00522	Lock Nut Hex.....	2
4	01-402175-02831	Cap Screw Socket Button Hd.....	2
5	01-404175-00732	Cable (J4) (Non-Interlock) (X13AE).....	1
6	01-404175-00740	Cable Assy. (J4) (Interlock) (X13A) (Incls. Micro Switch, Not Shown).....	1
7	01-402275-00587	Washer.....	2
8	01-402175-02866	Cap Screw Socket Button Hd.....	2
9	01-404375-00224	Tensioner Assy.....	1
10	01-404175-00714	Flex Cable Assy.....	1
11	01-404675-01185	Flex Chain.....	1
*12	01-404975-00497	Kit - Auto Drive Assy. (Used on Units Without Flex Chain) (Incls. Items 11, 13, 16, & 26).....	1
13	01-403575-00456	Autodrive Plate Assy. (Used on Units With Flex Chain).....	1
14	01-402375-00171	Belt - Primary.....	1
15	01-404675-01151	Guide Assy. (Used On Units Without Flex Chain).....	1
16	01-403875-00287	Guide Assy. (Used On Units With Flex Chain).....	1
**17	00-937902	Kit - Motor Assy. (Incls. Items 24 & 25).....	1
18	01-402175-02868	Cap Screw Socket Button Hd.....	1
19	01-404375-00225	Transmission.....	1
20	01-402275-00603	Washer - Nylon.....	2
21	01-402175-02868	Cap Screw Socket Button Hd.....	2
22	01-403775-00495	Housing - Autodrive Transmission.....	1
***23	01-404175-00716	Harness - Wiring (J9).....	1
****24	00-937901	Harness - Wiring (J9).....	1
25	01-404175-00739	Harness Assy. (Encoder to J9 Harness).....	1
26	01-402675-00920	PCB Assy. - Arm Flex Cable.....	1
27	SC-131-95	Screw M2 x 0.4 x 8mm.....	1
28	01-402175-00521	Cap Screw Socket Button Hd.....	1

* (Also Incls. Items 1 thru 53 on ARM ASSEMBLY)
 ** Starting S/N: 311564931
 *** S/N: 311564930 and below
 **** S/N: 311564931 and above



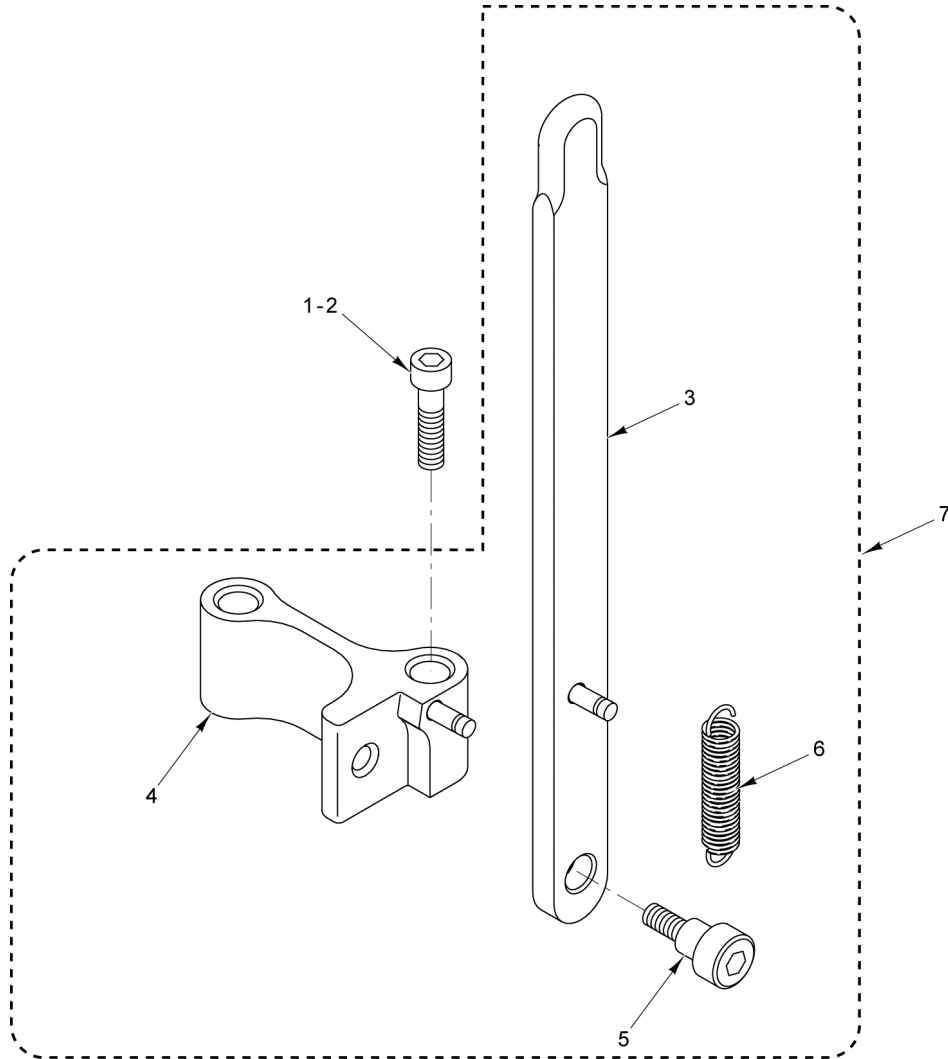
PL-58986

KNIFE SHARPENER UNIT

KNIFE SHARPENER UNIT

ILLUS. PL-58986	PART NO.	NAME OF PART	AMT.
1	01-402275-00594	E-Clip.....	1
2	01-402275-00441	Washer.....	1
3	01-402775-00733	Magnet.....	1
4	01-403875-00231	Frame - Sharpener.....	1
5	01-403375-01381	Shaft - Sharpener Actuator.....	1
6	01-402275-00594	E-Clip.....	1
7	01-402275-00595	Bushing.....	1
8	01-403275-00231	Spring - Debur.....	1
9	01-403875-00230	Frame - Debur.....	1
10	01-402275-00583	E-Clip.....	1
*11	01-404975-00485	Kit - Debur Spindle (RH) (Incls. Item 16).....	1
12	01-403375-01411	Shaft - Debur Spindle (RH).....	1
13	01-403875-00232	Skirt (Debur).....	1
14	01-403675-00283	Stone - Borazon.....	2
15	01-402275-00587	Washer.....	1
*16	01-402175-00540	Nut M6-1 Hex (RH).....	1
17	01-403275-00232	Spring - Sharpener Actuator.....	1
*18	01-402175-00540	Nut M6-1 Hex (RH).....	1
19	01-402275-00587	Washer.....	1
20	01-403875-00232	Skirt (Sharpener).....	1
*21	01-404975-00484	Kit - Sharpening Spindle (RH) (Incls. Item 18).....	1
22	01-403375-01410	Shaft - Sharpening Spindle (RH).....	1
23	01-403275-00230	Spring - Sharpener.....	1
24	01-402275-00596	Bushing.....	1
25	01-403475-01040	Washer - Fiber.....	1
26	01-404675-01158	Knife Sharpener Assy. (Incls. Items 1 thru 25).....	1

* (When replacing left-hand threaded nuts or shafts with right-hand threaded parts, use kit item 11 or 21. Note that left-hand nuts and shafts are no longer available.)



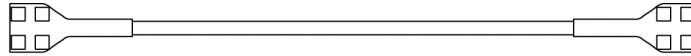
- | | | |
|---|-----------------|---------------------------------|
| 8 | 01-404975-00463 | Chute - Vegetable (With Pusher) |
| 9 | 01-403875-00241 | Tray - Slaw |
- PARTS NOT ILLUSTRATED**

PL-58984

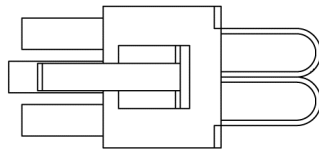
KICKSTAND ASSEMBLY AND ACCESSORIES

KICKSTAND ASSEMBLY AND ACCESSORIES

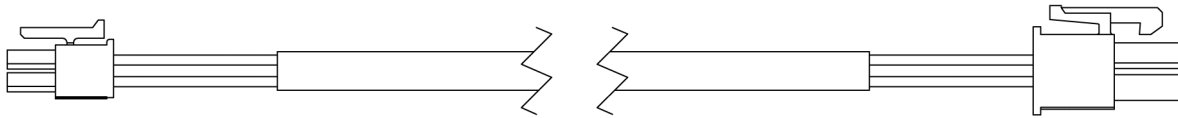
ILLUS.	PART NO.	NAME OF PART	AMT.
PL-58984			
1	01-402175-00527	Screw M6 x 40mm Button Socket Hd. (Automatic Slicers).....	1
2	01-402175-02869	Cap Screw Button Hd. (Manual Slicers).....	1
3	01-404375-00235	Leg - Kickstand Sub Assy.....	1
4	01-404375-00234	Bracket Assy. - Kickstand.....	1
5	01-402175-00525	Shoulder Bolt.....	1
6	01-403275-00234	Spring - Extension.....	1
7	01-404675-01139	Kickstand Assy. (Incls. Items 3 thru 6).....	1
8	01-404975-00463	Chute - Vegetable (Incls. Pusher).....	1
9	01-403875-00241	Tray - Slaw.....	1



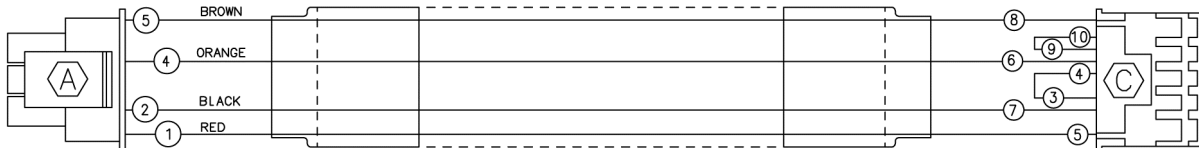
1 01-404175-00121 Jumper Wire Assy. (X13 & X13E)



2 01-404175-00745 Plug - Jumper (J12) (X13A & X13AE)



3 01-404175-00715 Harness - Upper Panel (Keypad to Main PCB)
(Previous Construction X13 & X13E) (All X13A & X13AE)



4 01-404175-00746 Harness - Upper (Current Construction X13 & X13E) (Keypad to Main PCB)

PL-60925

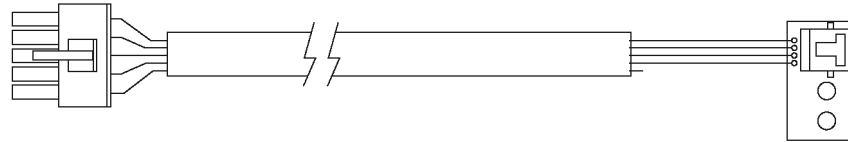
HARNESS - CONTROL BOARD & KEYPAD

HARNESS - CONTROL BOARD & KEYPAD

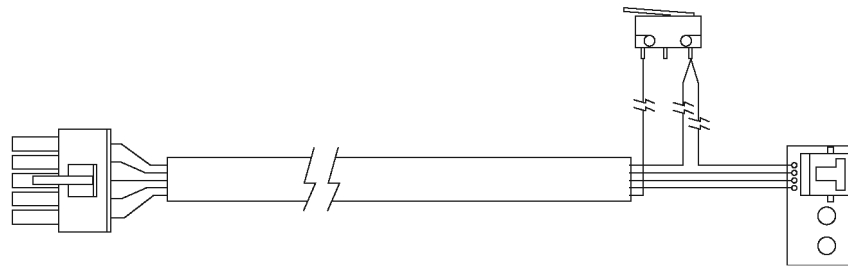
ILLUS. PL-60925	PART NO.	NAME OF PART	AMT.
1	01-404175-00121	Jumper Wire Assy. (X13 & X13E).....	1
2	01-404175-00745	Plug - Jumper (J12) (X13A & X13AE).....	1
3	01-404175-00715	Harness - Upper Panel (Keypad to Main PCB) (Previous Construction X13 & X13E) (All X13A & X13AE).....	1
4	01-404175-00746	Harness - Upper Panel (Current Construction X13 & X13E) (Keypad to Main PCB)	1



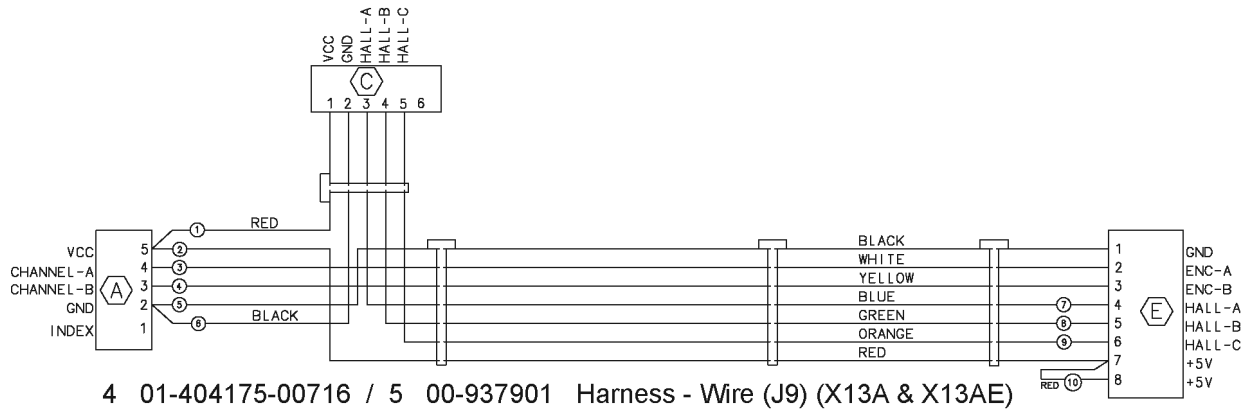
1 01-404175-00714 Flex Cable Assembly (X13A & X13AE)



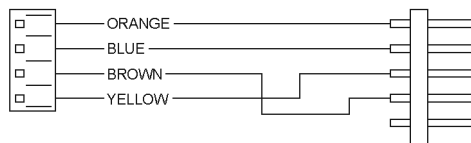
2 01-404175-00732 Harness (J4) (Non-Interlocks) (X13AE)



3 01-404175-00740 Harness (J4) (With Interlocks, Incls. Micro-Switch) (X13A)



4 01-404175-00716 / 5 00-937901 Harness - Wire (J9) (X13A & X13AE)



6 01-404175-00739 Harness Assy. (Encoder to J9 Harness)

PL-60926

HARNESS - AUTO CONTROL & AUTO MOTOR

HARNESS - AUTO CONTROL & AUTO MOTOR

ILLUS.	PART NO.	NAME OF PART	AMT.
PL-60926			
1	01-404175-00714	Flex Cable Assy. (X13A & X13AE).....	1
2	01-404175-00732	Harness (J4) (Non-Interlocks) (X13AE).....	1
3	01-404175-00740	Harness (J4) (With Interlocks, Incls. Micro-Switch) (X13A).....	1
*4	01-404175-00716	Harness - Wire (J9).....	1
**5	00-937901	Harness - Wire (J9) (X13A & X13AE).....	1
6	01-404175-00739	Harness Assy. (Encoder to J9 Harness).....	1

* S/N: 311564930 and below
 ** S/N: 311564931 and above

